

Vive Focus 3 Setup

Power on

To turn on the Vive Focus 3, hold down the power button for **3 seconds**.

Headset

Place the headset on your head. Turn the adjustment knob to tighten until snug and adjust the headset velcro. Adjust the IPD by turning the dial until text and lines are clear.

Set Boundary

While holding the controllers, set the floor height by pushing down on the **floor boundary**. Choose a room-scale or seated play area. We recommend choosing a **seated play area** when completing Bodyswaps modules. Set the **forward facing** direction. This is the direction where the menus will appear.

Go to Library

Select '**Library**' to enter a list of available apps using the **A button** on your controller.

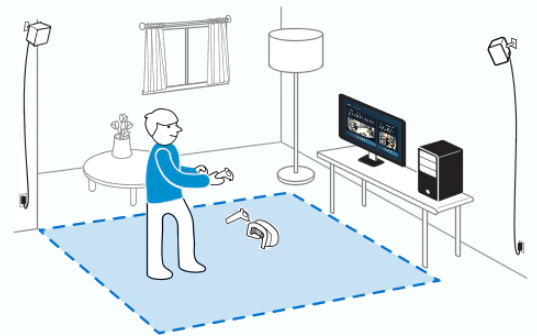
Enter Bodyswaps

Enter the **Bodyswaps app** and type in your access code from your Bodyswaps account to access content

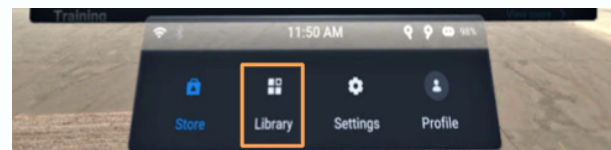
1



2

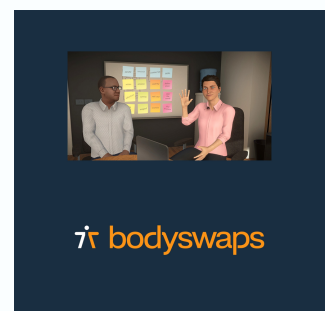


3



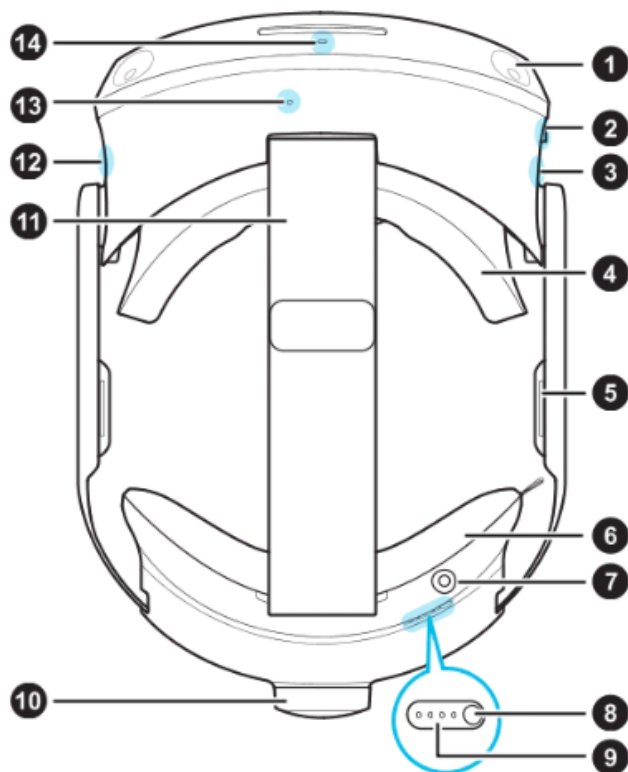
4

5



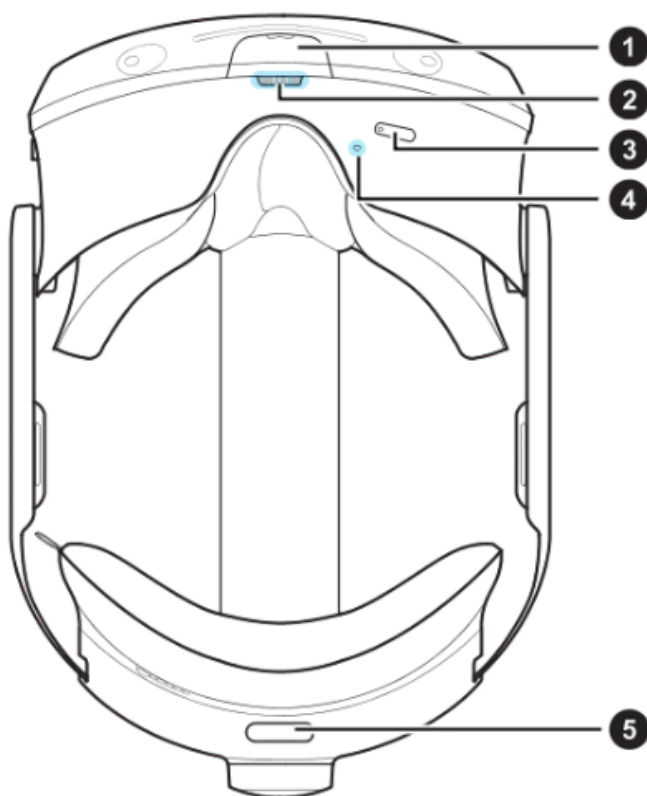
Vive Focus 3 Headset

Top View



1. Headset camera (4x)
2. 3.5mm audio jack
3. USB Type-C® port
4. Face cushion and frame
5. Built-in speaker
6. Back pad
7. Charging port
8. Power button
9. Battery LEDs
10. Adjustment dial
11. Headset strap
12. Headset button
13. Microphone
14. Headset LED

Bottom View

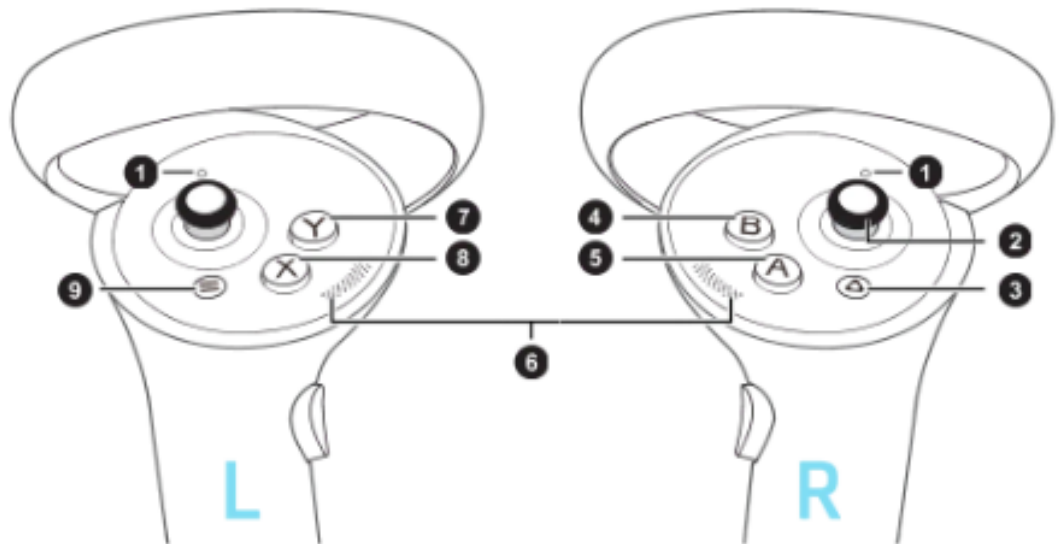


1. USB Type-C port (remove cover)
2. IPD dial
3. Volume buttons
4. Microphone
5. Quick adjustment button

Vive Focus 3 Controllers

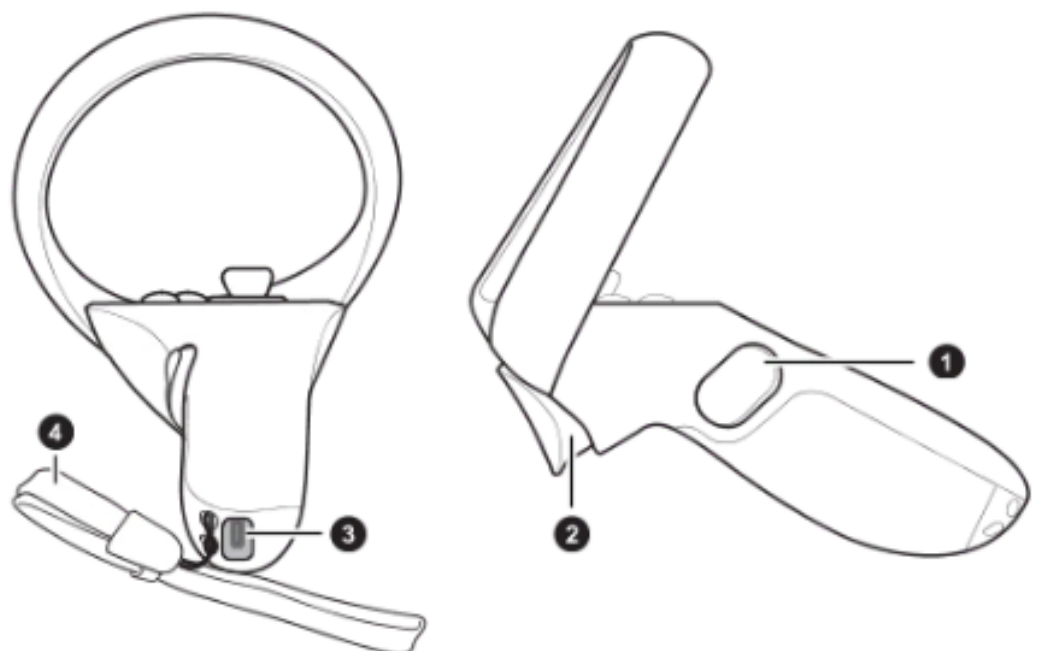
Controllers top view

1. Controller LEDs
2. Thumbstick
3. VIVE button
4. B button
5. A button
6. Thumb rest
7. Y button
8. X button
9. Menu button



Controllers front and side view

1. Grip button
2. Trigger
3. USB Type-C port
4. Wrist strap





Bodyswaps Controls for Vive Focus 3

In Bodyswaps, you interact with the user interface by clicking the option with your virtual hand.

Change Settings

To change your settings, you must return to the Bodyswaps Library before pressing the **Menu Button (9)** and selecting *Settings*.

Pause & Leave a module

Press the **Menu Button (9)** to access the menu. This effectively pauses the experience.

- **Select X** (top right-hand corner) when you are ready to continue.
- Select **Leave Module** to return to the main menu and select another module.

Learning Journal and Checkpoints

You can access learning notes, jump between checkpoints or report a bug by turning your left palm towards you when you're in a module.

Reset your Position

If you find that your position within the simulation has changed when you put the headset back on, you can reset it by pressing the **Vive Button (3) > More > Reset View**.

Quit

To quit the Bodyswaps app, either press the **Vive Button (3)** on your right controller, then select **Return to Lobby** or select **Quit** when in the Bodyswaps Library after clicking **Menu button (9)**.